



espresso, café crème, caffè latte,
cappuccino, latte macchiato,
mocha, caffè macchiato, ristretto

Pratica

CARIMALI
MACCHINE PER CAFFÈ DAL 1919

MACCO



English / Deutsch

Pratica e1



colours: blue and red



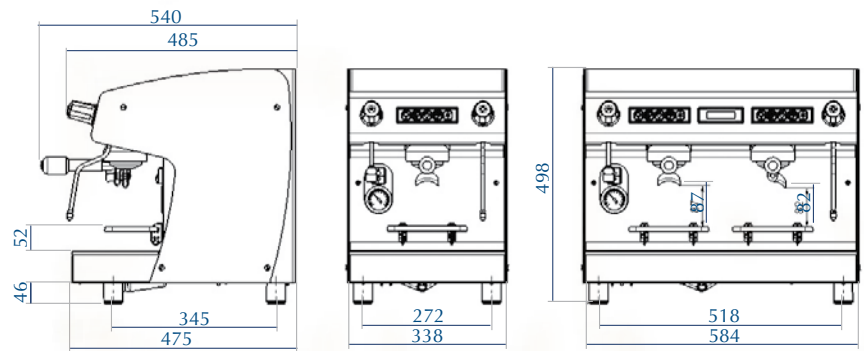
- high-raised groups and fold-down trays to accommodate large cups and glasses
- hoher Auslauf und klappbarer Tassentisch zum Anpassen der Auslaufhöhe für große Becher und Gläser

Technical Specifications

- Professional coffee machine in traditional design
- Available with automatic (e) or manual (p) dosage, 1 and 2 groups
- Push button panel and machine front in stainless steel
- Selections: four selection buttons plus continuous delivery
- Steam wand
- Hot water output: 15 l / h for 1-group; 30 l / h for 2-group
- Automatic level control for boiler and heating up stage
- Thermosiphonic heating of coffee groups
- Rotation pump: 150 W – 50 l / h
- Pressure gauge for steam boiler
- Display for 2-group automatic
- Wide cup warmer in stainless steel
- User-friendly lay-out for easy service access

Technische Daten

- professionelle Kaffeemaschine im traditionellen Design
- erhältlich mit automatischer (e) oder manueller (p) Dosierung, 1 und 2 Kaffeegruppen
- Bedienfeld und Geräte-Vorderseite aus Edelstahl
- Auswahlmöglichkeiten: vier Produktwahl-tasten + Dauerlauf-taste
- Dampfschwert
- Heißwasserausgabe: 15 l / h (1-gruppig); 30 l / h (2-gruppig)
- automatische Füllstands- und Heizkontrolle
- Thermosiphone Brühgruppenheizung
- Rotationspumpe: 150 W – 50 l / h
- Display bei der 2-gruppigen Automatik-Version
- großer Tassenablage aus Edelstahl
- benutzerfreundliches Layout für die einfache und schnelle Bedienung



Technical Features / Technische Merkmale



1 group	1.600W+350W 200V-230V 1N~	4,0 l	29 Kg	45 Kg
2 groups	2.800W+350W 200V-230V 1N~	10,5 l	47 Kg	59 Kg



Milk Frother Cleaner
- Breaks down milk buildup
- Cleans steam wands and pitchers



Cleaning Tablets
- Cleaning detergent tablets
- 120 tablets per jar

The Manufacturer reserves the right to modify the equipment presented in this publication without notice.

imc
ITALIANA MACCHINE CAFFÈ

COMPANY
WITH QUALITY SYSTEM
CERTIFIED BY DNV
= ISO 9001/2000 =

IMC Italiana Macchine Caffè S.p.A.
Via Industriale, 1 - 24040 Chignolo d'Isola (BG) - Italy
Tel. +39.035.905440 - Fax +39.035.905447
www.carimali.com - www.macco.it - carimali@carimali.com